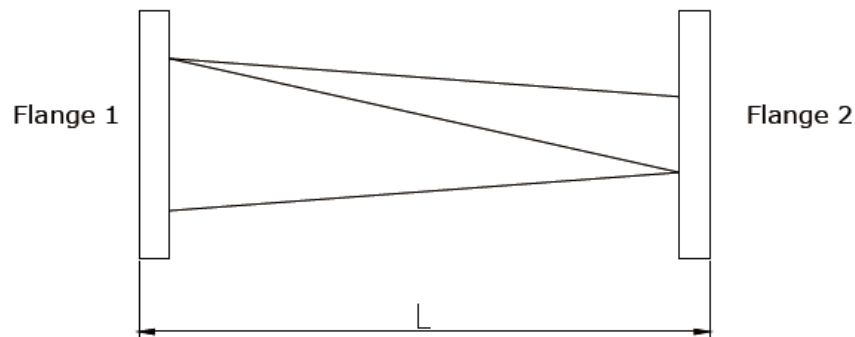


## Waveguide Twist

Dolph Microwave offers a standard product line of waveguide twist covering waveguide sizes WR10 thru WR430.

We offer twist angles of 30°, 45°, 60°, 90° and other angles. We also offer “step twists” available in left hand or right hand configuration, with 3, 5 or 7 step options.

Twist angle, twist direction and flange types can be custom made as per customer’s specific requirements.

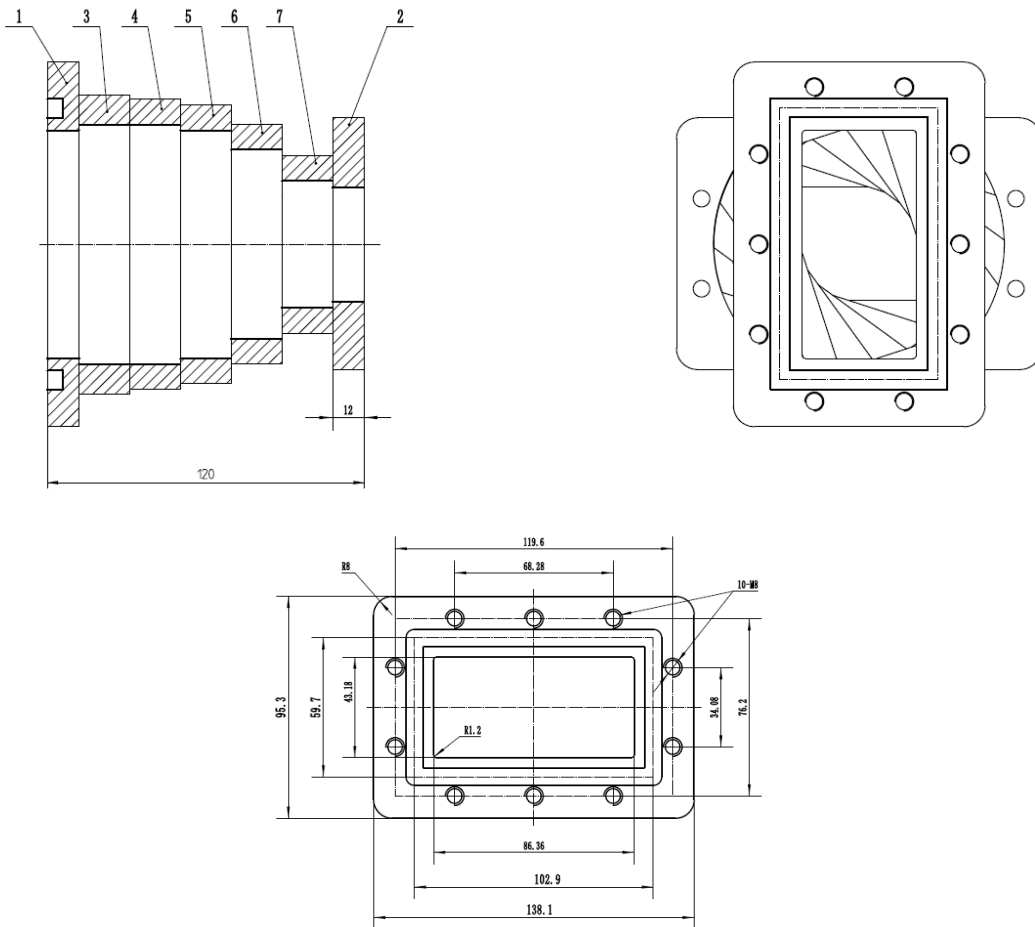


- Technical Specification

<b>WR340 Waveguide Step Twist</b>	
Electrical Specifications	
Model	DH-26WSTA120PPA
WG Size	WR340
Frequency Range	2450±50 MHz
VSWR	1.1:1

IL	0.1 dB
Handling Power	2 KW
Flange	FDP26/FDM26 (UDR26/PDR26)
Material	Al
Surface Treatment	Conductive Oxidation/Silver plating
Surface Coating	Anticorrosion Black CARC Painting
Twisting Type	Clockwise, Step Twists
Twisting Angle	30°, 45°, 60°, 90° and other angles (90° as default)
Twisting Error	±0.3°
Length	120±0.05 mm

● Outline Drawing (Size: mm)



## ● Simulation Data

